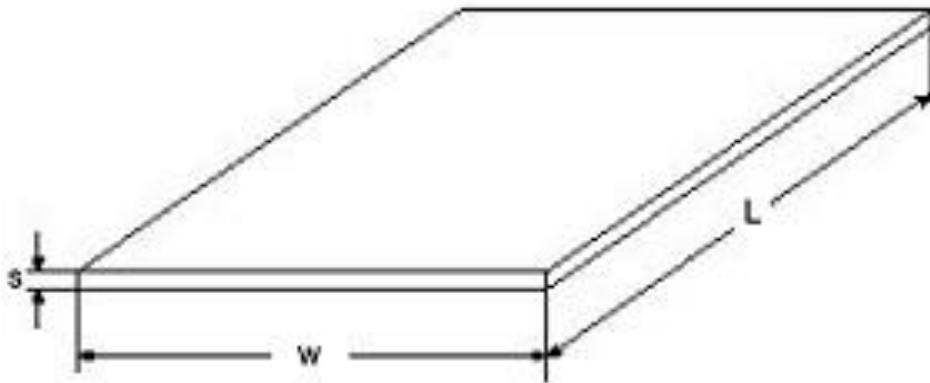


Date tehnice

Tabla neagra



Specificatii

Standard: EN 10029; EN10025; EN 10028; EN 10051

Material: S235JR; S275JR; S355J2; S235J2

Dimensiuni exterioare: 1000x2000 mm; 1500x6000mm; 2000x6000mm

Grosimi de perete: de la 1.5 mm la 100 mm

Bd. Metalurgiei nr. 78; 041836 Bucuresti 4; Romania;

Tel:+40 31 437 95 88; fax:+40 31 437 95 99

office@prosider.ro

www.prosider.ro

Detalii

Formate uzuale: 2÷40 mm X 1000-2000 X 1500-6000 X 2000-6000

Mod obtinere: laminare la cald
LBC (tabla subtire) - 2÷ 12 mm
LTG (tabla groasa) - 6 ÷ 40 mm

Utilizari/aplicatii:

- accesorii linii de cale ferata
- compartimente depozitare
- piese auto
- diverse aplicatii structurale
- industria navala
- constructia de cazane si alti recipienti sub presiune
- fabricarea de masini si echipamente grele
- productia de containere

Toleranta latime EN 10029:1991	
Latime nominala	Toleranta
600÷2000 mm	"0/+20 mm
2000÷3000 mm	"0/+25 mm
> 3000 mm	"0/+30 mm

Toleranta lungime EN 10029:1991	
Lungime nominala	Toleranta
< 4000 mm	"0/+20 mm
4000 ÷ 6000 mm	"0/+30 mm
6000÷ 8000 mm	"0/+40 mm
8000÷10000 mm	"0/+50 mm
10000÷15000 mm	"0/+75 mm
15000÷20000 mm	"0/+30 mm

Bd. Metalurgiei nr. 78; 041836 Bucuresti 4; Romania;

Tel:+40 31 437 95 88; fax:+40 31 437 95 99

office@prosider.ro

www.prosider.ro

Grosime Nominala (mm)	Tolerante la grosimea nominala EN 10029:1991				Diferenta de grosime maxima in foaia de tabla (mm)					
	Clasa A	Clasa B	Clasa C	Clasa D	Latimea nominala tabla (mm)					
					600÷2000	2000÷2500	2500÷3000	3000÷3500	3500÷4000	≥4000
≥ 3 < 5	"- 0.4/+ 0.8mm	"- 0.3/+ 0.9 mm	"0/+ 0.2 mm	"- 0.6/+ 0.6 mm	0.8	0.9	0.9	–	–	–
≥ 5 < 8	"- 0.4/+ 1.1mm	"- 0.3/+ 1.2 mm	"0/+ 1.5 mm	"- 0.75/+ 0.75 mm	0.9	0.9	1.0	1.0	–	–
≥ 8 < 15	"- 0.5/+ 1.2mm	"- 0.3/+ 1.4 mm	"0/+ 1.7 mm	"- 0.85/+ 0.85 mm	0.9	1.0	1.0	1.1	1.1	1.2
≥ 15 < 25	"- 0.6/+ 1.3mm	"- 0.3/+ 1.6 mm	"0/+ 1.9 mm	"- 0.95/+ 0.95 mm	1.0	1.1	1.2	1.2	1.3	1.4
≥ 25 < 40	"- 0.8/+ 1.4mm	"- 0.3/+ 1.9 mm	"0/+ 2.2 mm	"- 1.1/+ 1.1 mm	1.1	1.2	1.2	1.3	1.3	1.4
≥ 40 < 80	"- 1.0/+ 1.8mm	"- 0.3/+ 2.5 mm	"0/+ 2.8 mm	"- 1.4/+ 1.4mm	1.2	1.3	1.4	1.4	1.5	1.6
≥ 80 < 150	"- 1.0/+ 2.2mm	"- 0.3/+ 2.9 mm	"0/+ 3.2 mm	"- 1.6/+ 1.6 mm	1.3	1.4	1.5	1.5	1.6	1.7
≥ 150 < 250	"- 1.2/+ 2.4mm	"- 0.3/+ 3.3 mm	"0/+ 3.6 mm	"- 1.8/+ 1.8 mm	1.4	1.5	1.6	1.6	1.7	–

Legenda :

- pentru tolerante negative de grosime fata de grosimea
- * clasa A: nominala
- * clasa B: pentru o toleranta negativa fixa de 0.3 mm
- * clasa C: pentru toate tolerantele pozitive fata de grosimea nominala
- * clasa D: pentru tolerantele simetrice fata de grosimea nominala

Grosime	Greutate	Dimensiuni W x L								
		Greutate Kg/foaie								
(s) mm	Kg/mp	1000 x 2000	1250 x 2500	1500 x 3000	1500 x 6000	2000 x 6000	2500 x 6000	2000 x 8000	2000 x 12000	2500 x 8000
1.50	12.00	24.00	37.50	54.00	-	-	-	-	-	-
2.00	16.00	32.00	50.00	72.00	144.00	-	-	-	-	-
2.50	20.00	40.00	62.50	90.00	180.00	-	-	-	-	-
3.00	24.00	48.00	75.00	108.00	216.00	288.00	-	-	-	-
4.00	32.00	64.00	100.00	144.00	288.00	384.00	-	-	-	-
5.00	40.00	80.00	125.00	180.00	360.00	480.00	600.00	640.00	960.00	800.00
6.00	48.00	96.00	150.00	216.00	432.00	576.00	720.00	768.00	1152.00	960.00
7.00	56.00	112.00	175.00	252.00	504.00	672.00	840.00	896.00	1344.00	1120.00
8.00	64.00	128.00	200.00	288.00	576.00	768.00	960.00	1024.00	1536.00	1280.00
9.00	72.00	144.00	225.00	324.00	648.00	864.00	1080.00	1152.00	1728.00	1440.00
10.00	80.00	160.00	250.00	360.00	720.00	960.00	1200.00	1280.00	1920.00	1600.00
12.00	96.00	192.00	300.00	432.00	864.00	1152.00	1440.00	1536.00	2304.00	1920.00
14.00	112.00	-	-	-	1008.00	1344.00	1680.00	1792.00	2688.00	2240.00
15.00	120.00	-	-	-	1080.00	1440.00	1800.00	1920.00	2880.00	2400.00
16.00	128.00	-	-	-	1152.00	1536.00	1920.00	2048.00	3072.00	2560.00
18.00	144.00	-	-	-	1296.00	1728.00	2160.00	2304.00	3456.00	2880.00
20.00	160.00	-	-	-	1440.00	1920.00	2400.00	2560.00	3840.00	3200.00
22.00	176.00	-	-	-	1584.00	2112.00	2640.00	2816.00	4224.00	3520.00
25.00	200.00	-	-	-	1800.00	2400.00	3000.00	3200.00	4800.00	4000.00
28.00	224.00	-	-	-	-	2688.00	3360.00	3584.00	5376.00	4480.00
30.00	240.00	-	-	-	-	2880.00	3600.00	3840.00	5760.00	4800.00
35.00	280.00	-	-	-	-	3360.00	4200.00	4480.00	6720.00	5600.00
Grosime	Greutate	Dimensiuni WxL								

Bd. Metalurgiei nr. 78; 041836 Bucuresti 4; Romania;

Tel:+40 31 437 95 88; fax:+40 31 437 95 99

office@prosider.ro

www.prosider.ro

“Abilitatea de a distribui calitatea”

s (mm)	Kg/mp	Greutate Kg/foaie								
		1000x2000	1250x2500	1500x3000	1500x6000	2000x6000	2500x6000	2000x8000	2000x12000	2500x8000
40.00	<i>320.00</i>	-	-	-	-	3840.00	4800.00	5120.00	7680.00	6400.00
45.00	<i>360.00</i>	-	-	-	-	4320.00	5400.00	5760.00	8640.00	7200.00
50.00	<i>400.00</i>	-	-	-	-	4800.00	6000.00	6400.00	9600.00	8000.00
60.00	<i>480.00</i>	-	-	-	-	5760.00	7200.00	7680.00	11520.00	9600.00
70.00	<i>560.00</i>	-	-	-	-	6720.00	8400.00	8960.00	13440.00	11200.00
80.00	<i>640.00</i>	-	-	-	-	7680.00	9600.00	10240.00	15360.00	12800.00
90.00	<i>720.00</i>	-	-	-	-	8640.00	10800.00	11520.00	17280.00	14400.00
100.00	<i>800.00</i>	-	-	-	-	9600.00	12000.00	12800.00	19200.00	16000.00

Bd. Metalurgiei nr. 78; 041836 Bucuresti 4; Romania;

Tel:+40 31 437 95 88; fax:+40 31 437 95 99

office@prosider.ro

www.prosider.ro